

# C-SERIES C4800E

The electric multi-directional forklift designed for the safe, space saving and productive handling of long and bulky loads.

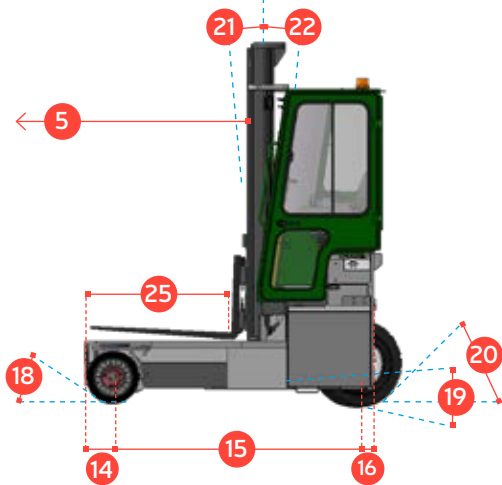
# COMBILIFT

LIFTING INNOVATION

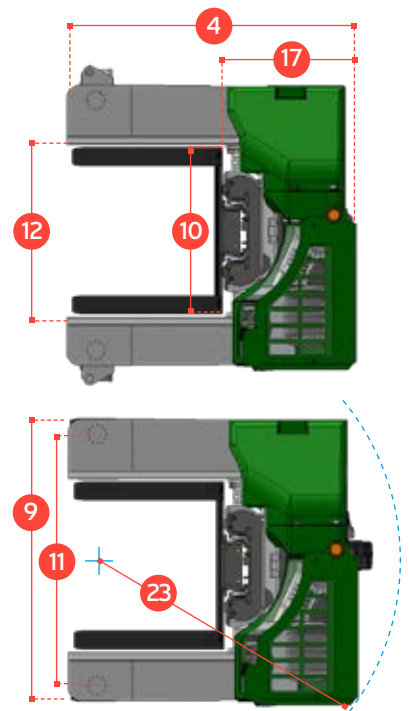
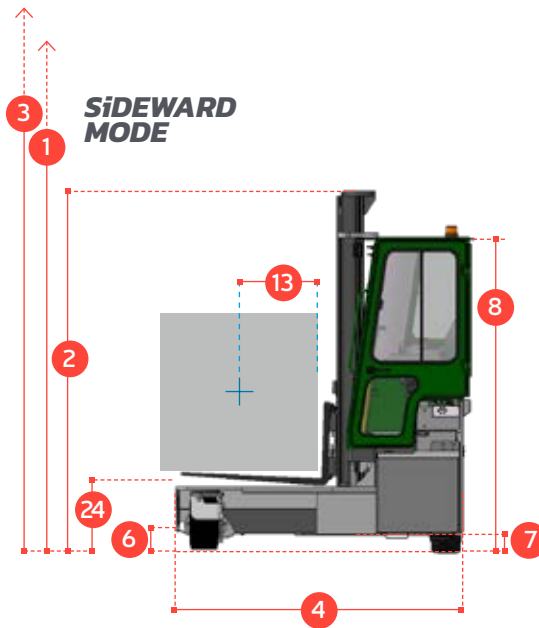


# C-SERIES C4800E

## FRONTAL MODE



## SIDEWARD MODE



REF.	DESCRIPTION	C4800 E
1a	Standard. Lift Height	4040mm
1b	Freelift Height	0mm
2	Height Mast Closed	2855mm
3	Max. (Mast raised)	4870mm
4	Overall Length	2500mm
5	Mast Travel	1450mm
6	Ground Clearance Under Mast	150mm
7	Ground Clearance to Centre of Wheelbase	110mm
8	Height Over Cab (Without work lights)	2380mm
9	Width	2270mm
10	Outside Spread of Fork Arms	1350mm
11	Track Front	2020mm
12	Frame Opening	1400mm
13	Load Centre Distance	600mm
14	Overhang Front	220mm
15	Wheelbase	2045mm
16	Overhang Back	135mm
17	Length From Face of Fork	1150mm
18	Approach Angle	45°
19	Ramp Angle	17°
20	Departure Angle	45°
21	Forward Tilt	3°
22	Backward Tilt	5°
23	Minimum Outside Radius	1835mm
24	Platform Height	485mm
25	Platform Length	1350mm
A	Capacity	4800kg
B	Unladen Weight	6750kg
C	Maximum Ground Speed	10km/h
D	Gradeability	10%
E	Battery Capacity (V / Ah)	80V / 620Ah
F	Fork Section	50mm x 150mm x 1350mm
G	405x305x220 Front Tyre (Solid Rubber)	OD 406mm / Width 220mm
H	27 x 10-12 Rear Tyre	OD 680mm / Width 255mm
I	Standard Colour	Green & Grey
J	AC Electric Traction Motor x 2	80V / 5kW
K	AC Electric Pump Motor	80V / 19kW

## Multi-Directional



## Features Include:

- Rubber Mounted Cabin
- AC Motor Technology
- Multi-Direction Operation
- Load Sensing Steering
- Curtis AC Software
- 4 Way Lever Positioning of Wheels
- 2 Wheel Drive

## Distributed by:

International Patent Application No. PCT/EP2014/053066; UK Patent Application No. GB 1302811.3

COMBILIFT HAS A POLICY OF CONTINUOUS PRODUCT DEVELOPMENT AND RESERVES THE RIGHT TO ALTER SPECIFICATIONS WITHOUT PRIOR NOTICE. SPECIFICATIONS AND/OR DIMENSIONS MAY VARY FROM THOSE ILLUSTRATED IN SOME COUNTRIES.