

COMBi-SLE 5000

The 3 wheel electric sideloader forklift designed for the safe, space saving and productive handling of long and bulky loads.

COMBiLiFT

LIFTING INNOVATION

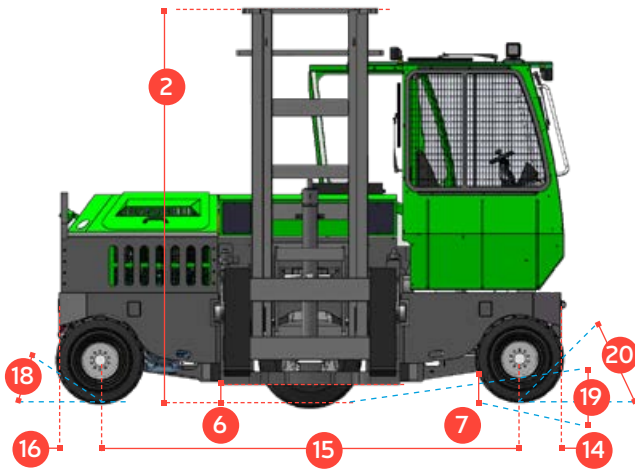


Combi-SRE: Rear Mounted Cabin

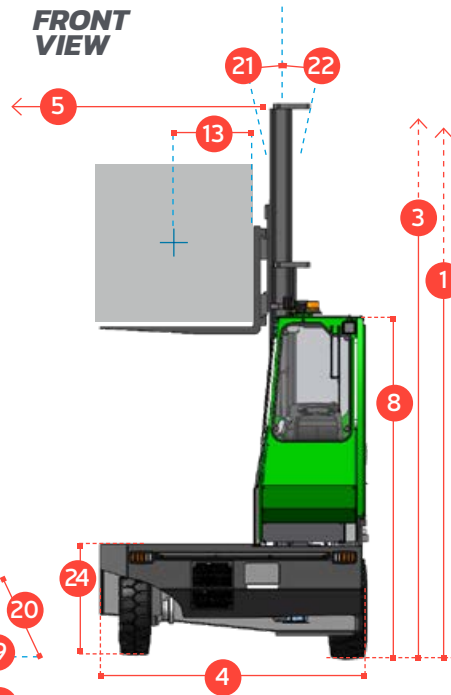


COMBi-SLE 5000

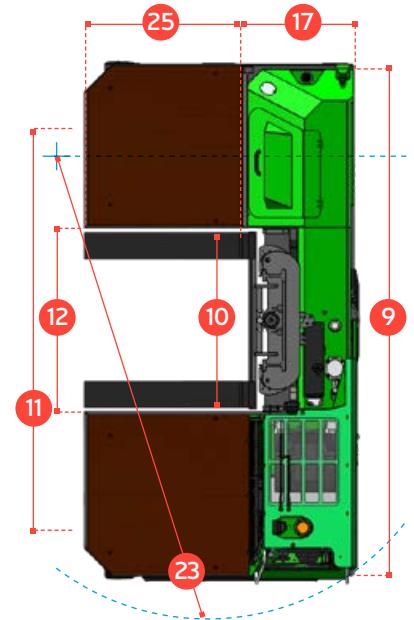
SIDE VIEW



FRONT VIEW



OVERHEAD VIEW



REF.	DESCRIPTION	5000 SLE
1a	Standard Lift Height	4040mm
1b	Free Lift Height	0mm
2	Height Mast Closed	3207mm
3	Max. (Mast raised)	5495mm
4	Overall Length	2350mm
5	Mast Travel	1400mm
6	Ground Clearance Under Mast	472mm
7	Ground Clearance to Centre of Wheelbase	100mm
8	Height Over Cab (Without work lights)	2740mm
9	Width	4245mm
10	Outside Spread of Fork Arms	1450mm
11	Track Front	3610mm
12	Frame Opening	1600mm
13	Load Centre Distance	600mm
14	Overhang Front	271mm
15	Wheelbase	1960mm
16	Overhang Back	120mm
17	Length From Face of Fork	1100mm
18	Approach Angle	45°
19	Ramp Angle	18°
20	Departure Angle	45°
21	Forward Tilt	3°
22	Backward Tilt	5°
23	Minimum Outside Radius	2980mm
24	Platform Height (Optional 750mm)	750mm
25	Platform Length	1300mm

Multi-Directional



Features Include:

- Rubber Mounted Cabin
- Multi-Direction Operation
- Load Sensing Steering
- 3 Wheel Electric Drive
- 4-way lever positioning of Wheel
- AC Motor Technology

Distributed by:

A	Capacity	5000kg
B	Unladen Weight	10000kg
C	Maximum Ground Speed	15km/h
D	Gradeability	10%
E	Battery Capacity	80V 1080Ah
F	Electrics	12 Volt
G	Fork Section 50mm x 200mm	1300mm
H	27 x 10 - 12 Front Tyre	OD 585mm / Width 255m
I	355 / 65 - 15 Rear Tyre	OD 800mm / Width 295
J	Standard Colour	Green & Grey
K	Suspension Seat	KAB Model 116

rev. 1.1

COMBILIFT HAS A POLICY OF CONTINUOUS PRODUCT DEVELOPMENT AND RESERVES THE RIGHT TO ALTER SPECIFICATIONS WITHOUT PRIOR NOTICE. SPECIFICATIONS AND/OR DIMENSIONS MAY VARY FROM THOSE ILLUSTRATED IN SOME COUNTRIES.